

4

3

2

1

D

D

C

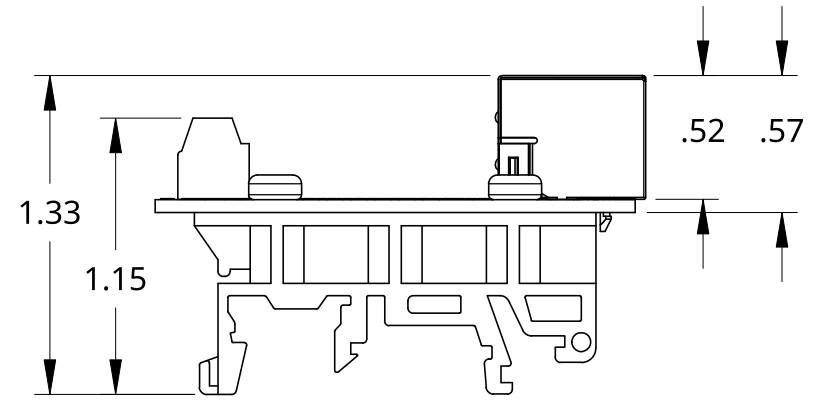
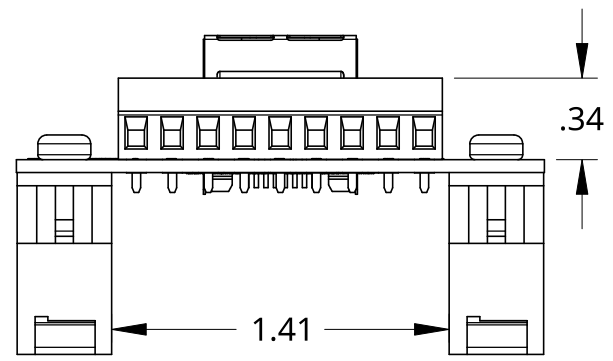
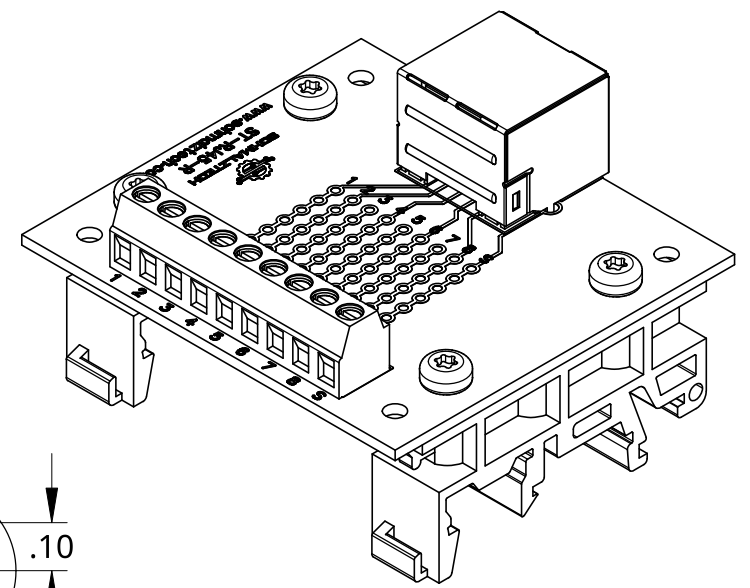
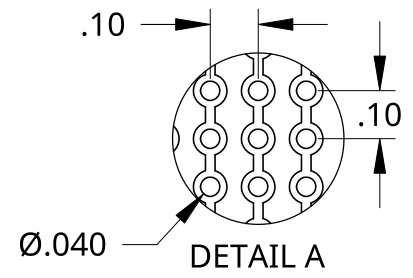
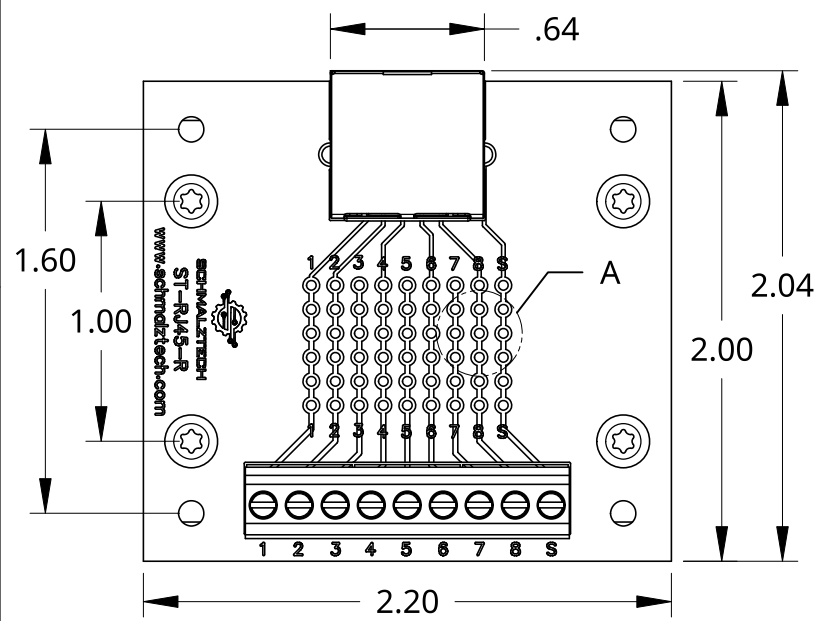
C

B

B

A

A



REVISIONS

REV	DESCRIPTION	DATE
1	Added additional dimensions	3/11/26



SCHMALZTECH

PHONE: (844) 399-9213
 EMAIL: sales@schmalztech.com
 WEB: www.schmalztech.com

TITLE ST-RJ45-R-DIN			
DESCRIPTION RJ45 BREAKOUT BOARD W/ DIN CLIPS			
SIZE A	DWG NO. ST-RJ45-R-DIN	REV. 1	
UNITS INCH	DATE 05/29/2024	SHEET 1 of 1	

4

3

2

1