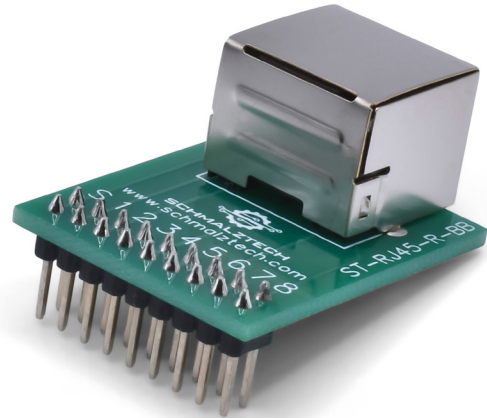
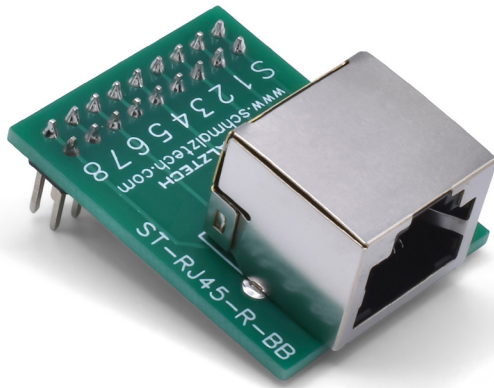




ST-RJ45-R-BB

RJ45 Breadboard Breakout



- Breaks out all 8 contacts and the shield
- Pin headers for easy breadboard connection
- Easy access for probing and debugging
- Dual headers for increased stability

Specifications	
Pin Header Size	.025" x .025"
Pin Header Pitch	0.1"
Connector	8P8C + Shield
PCB Surface Finish	LF HASL
Temperature Rating	-15°C to +70°C

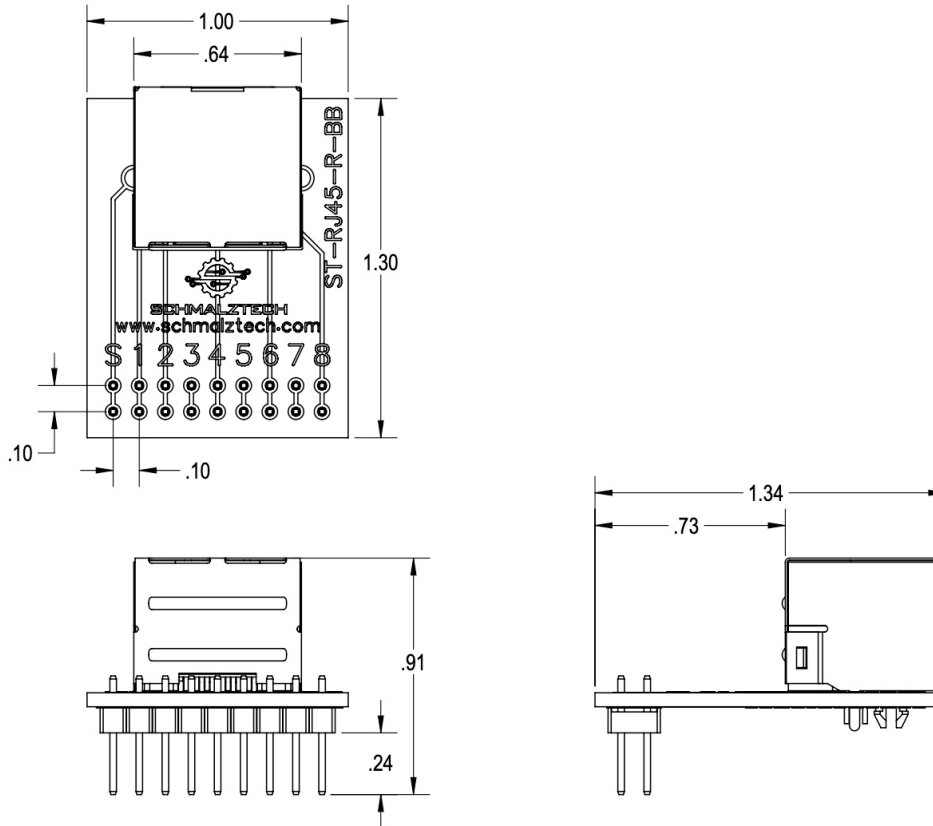
This RJ45 breadboard breakout provides a quick and easy method of accessing all the contacts of an 8P8C connector, including the shield. Each of the 9 connections are brought out to a pair of pin headers that can connect directly to a standard breadboard. This board has two rows of 0.1" male pin headers to create a more stable connection to the breadboard. By providing a second row of headers the breakout board is less likely to work loose from the breadboard and can better support the weight of a connected cable.



ST-RJ45-R-BB

RJ45 Breadboard Breakout

Mechanical Drawings



Electrical Connections

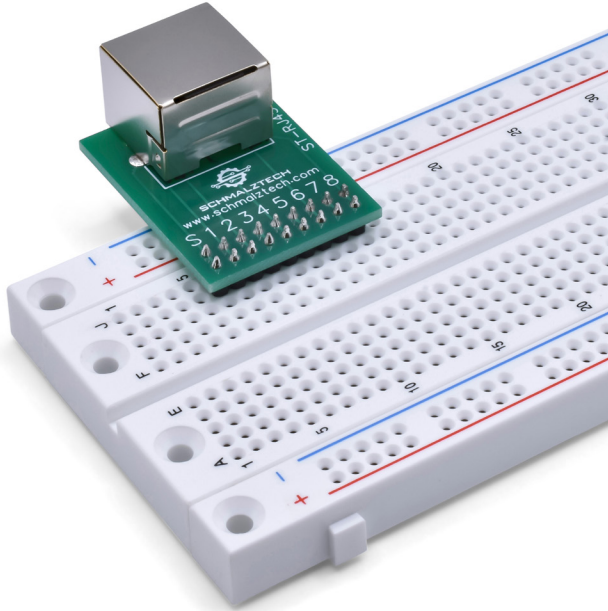
Each pin of the RJ45 connector is electrically connected to a pair of pin headers.



ST-RJ45-R-BB

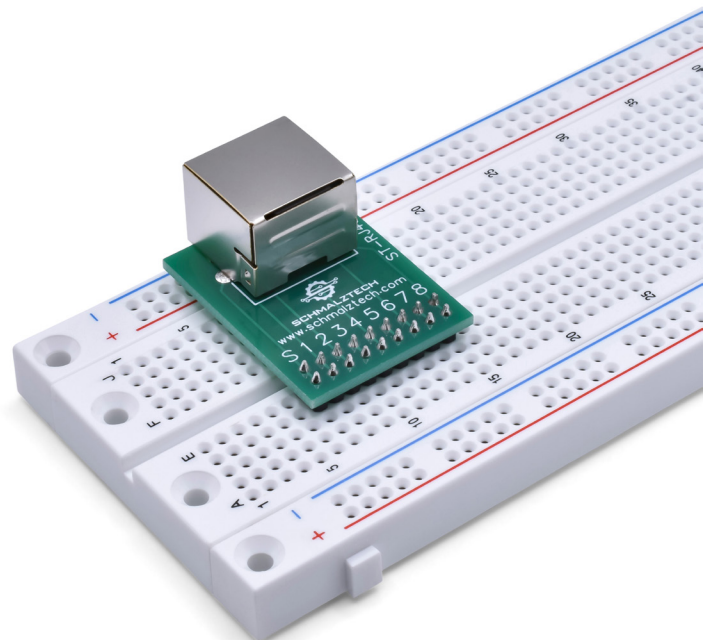
RJ45 Breadboard Breakout

Usage Examples



The breakout board can be connected as shown on the left to minimize the amount of breadboard space required.

The breakout board can also be connected as seen on the right in order to maximize stability of the board.





ST-RJ45 - Ordering Information

ST-RJ45- _____ - _____

Form Factor

BB: Breadboard
MIN: Mini
FT: Rubber Feet
DIN: DIN Rail Mount
SPR: Spacers and Screws
E-CHS: Enclosed Chassis Mount
E-DIN: Enclosed DIN Rail Mount

Connector

R: Right Angle
S: Straight

Ordering

To order please visit www.schmalztech.com or one of our distributors to quickly place an online order.

Orders may also be placed by email or phone:

Email: sales@schmalztech.com

Phone: +1 (844) 399-9213

Expedited Shipping

If overnight shipping is required please contact us directly so that we can expedite your order. Overnight shipping is provided through UPS and will incur an additional charge

Custom Designs

Can't find what you need? We can design and produce a custom board to fit your exact needs. Please reach out to us for additional information and pricing.