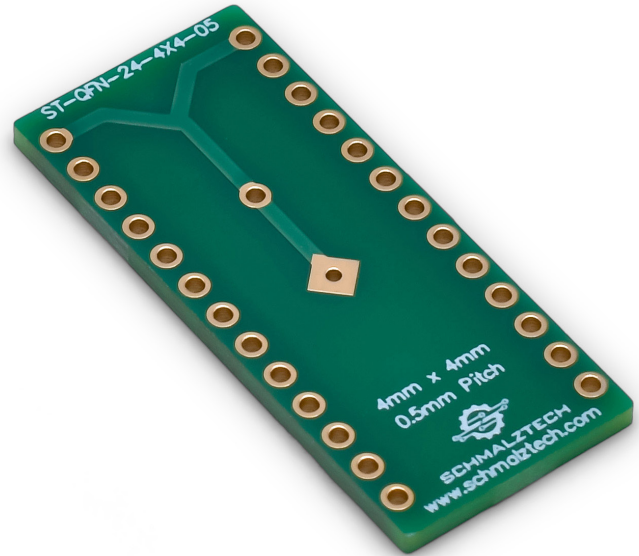
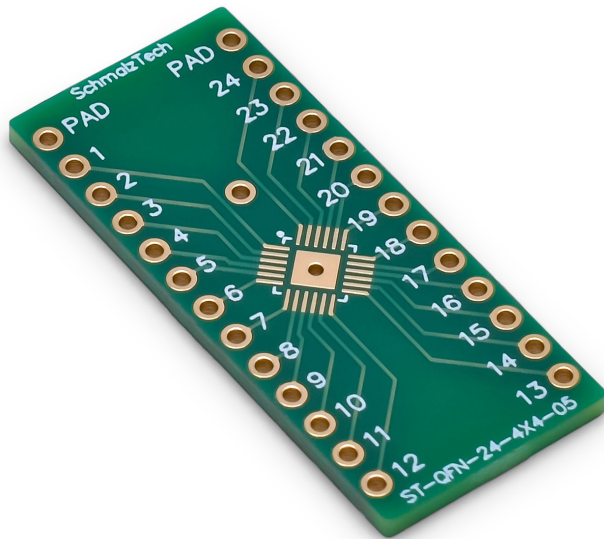




ST-QFN-24-4X4-05

24-Pin QFN, 4mm x 4mm, 0.5mm Pitch, SMD to DIP Adapter



- Converts a QFN 24-Pin SMD part to a DIP form factor
- High quality PCB can withstand re-work
- Enables SMD parts to be used with a breadboard, perfboard, or protoboard
- 0.1" pitch holes for standard headers

Specifications	
DIP Pitch	0.1"
SMD Package	QFN-24
SMD Size	4mm x 4mm
SMD Pitch	0.5mm
Surface Finish	ENIG
Temperature Rating	-30°C to +100°C

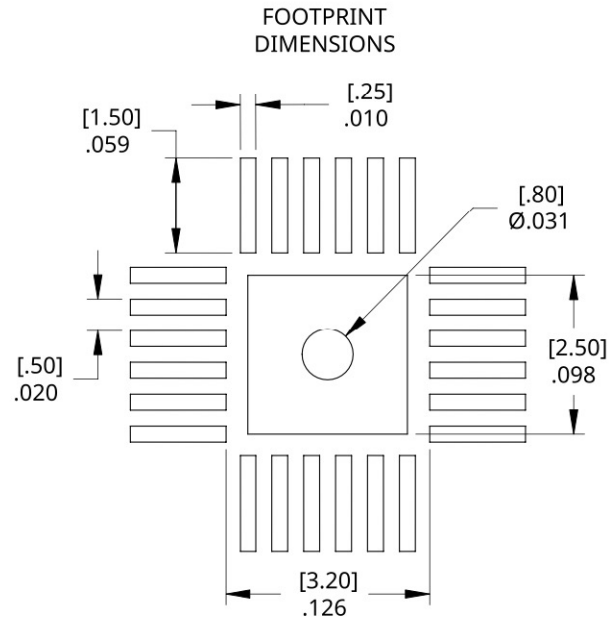
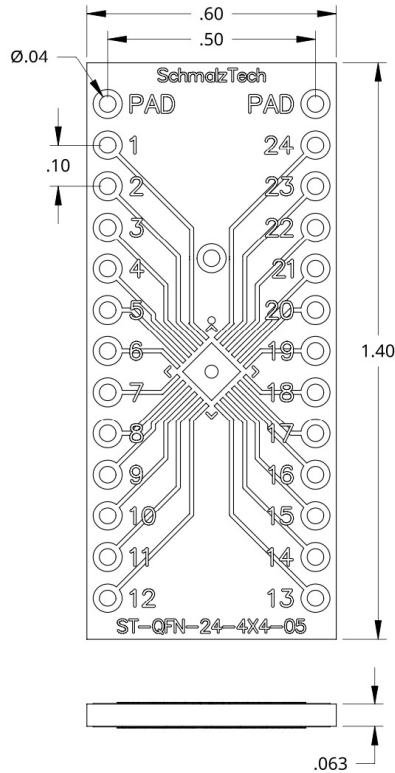
This SMD to DIP breakout board enables the easy conversion of a surface mount package to a DIP form factor. This adapter makes prototyping with surface mount parts fast and easy. Through-holes with a standard 0.1" pitch allow the board to work with common headers and enable SMD parts to be used in breadboards and perfboards. This board has an ENIG surface finish and is made of high quality FR4 which can withstand high temperature soldering and re-work. Besides the standard pins, this board also breaks out the bottom pad of a QFN part. This pad is connected to one through-hole on each side of the board labeled "PAD", it is also routed to a centered through-hole for quick access. The QFN bottom pad is connected through to the back side of the adapter to make soldering easier.



ST-QFN-24-4X4-05

QFN 24-Pin, 4mm x 4mm, 0.5mm Pitch, SMD to DIP Adapter

Mechanical Drawings



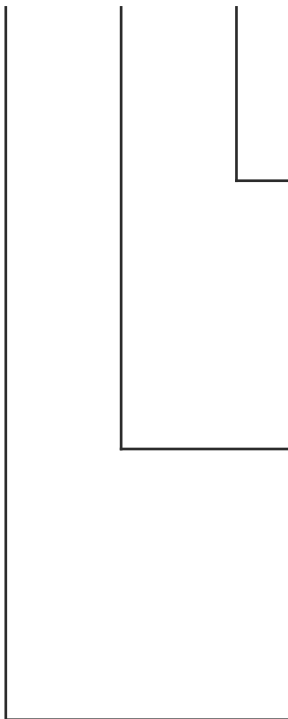
Electrical Connections

Each pin of the QFN part is electrically connected to one of the through-hole connections on the SMD to DIP adapter board. The bottom pad of the QFN part is also connected to one through hole on each side of the board.



ST-QFN - Ordering Information

ST-QFN- _____



Package Pin Pitch

- 04: 0.4mm
- 05: 0.5mm
- 065: 0.65mm
- 08: 0.8mm

Package Size

- 3X3: 3mm x 3mm
- 4X4: 4mm x 4mm
- 5X5: 5mm x 5mm
- 6X6: 6mm x 6mm
- 7X7: 7mm x 7mm

SMD Package

- 12: 12 Pin
- 16: 16 Pin
- 20: 20 Pin
- 24: 24 Pin
- 28: 28 Pin
- 32: 32 Pin
- 36: 36 Pin
- 40: 40 Pin
- 44: 44 Pin
- 48: 48 Pin



ST-QFN - Ordering Information

Ordering

To order please visit www.schmalztech.com or one of our distributors to quickly place an online order.

Orders may also be placed by email or phone:

Email: sales@schmalztech.com

Phone: +1 (844) 399-9213

Expedited Shipping

If overnight shipping is required please contact us directly so that we can expedite your order. Overnight shipping is provided through UPS and will incur an additional charge

Custom Designs

Can't find what you need? We can design and produce a custom board to fit your exact needs. Please reach out to us for additional information and pricing.