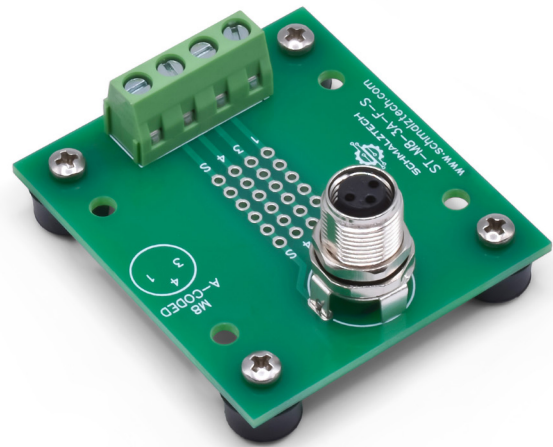
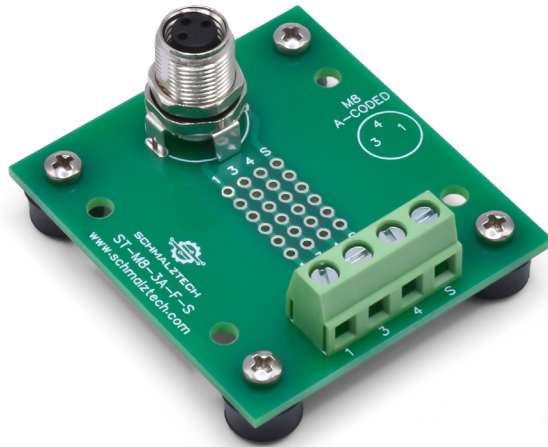




ST-M8-3A-F-S-FT

M8, 3-Pin, A-Coded, Female Screw Terminal Breakout Board with Rubber Feet



- Breaks out all 3 contacts and shell
- Screw terminals for fast connections
- Prototyping area for in-circuit modifications
- Easy access for probing and debugging
- Rubber feet provide a stable base

Specifications	
Wire Range (stranded)	16-26 AWG
Wire Range (solid)	16-26 AWG
Connector	M8, 3-Pin
Coding	A-Coded
PCB Surface Finish	LF HASL
Temperature Rating	-15°C to +70°C

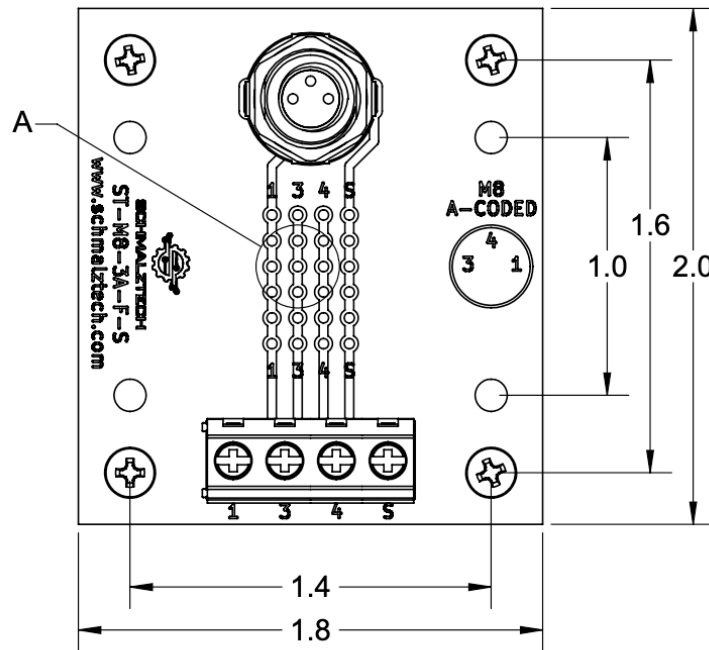
This M8 breakout board provides a convenient method of accessing all the contacts of an A-Coded, 3-Pin, Female M8 connector. Each of the 3 connections as well as the shell are brought out to a screw terminal for fast and secure termination to wires. This board also features a prototyping area to enable in-circuit modifications as well as easy probing/diagnostics. The prototyping grid has a standard 0.1" pattern to enable compatibility with a variety of components. The rubber feet on this model provide clearance for the connections on the bottom making it perfect for a lab environment where it can be placed directly on a bench.



ST-M8-3A-F-S-FT

M8, 3-Pin, A-Coded, Female Screw Terminal Breakout Board with Rubber Feet

Mechanical Drawings



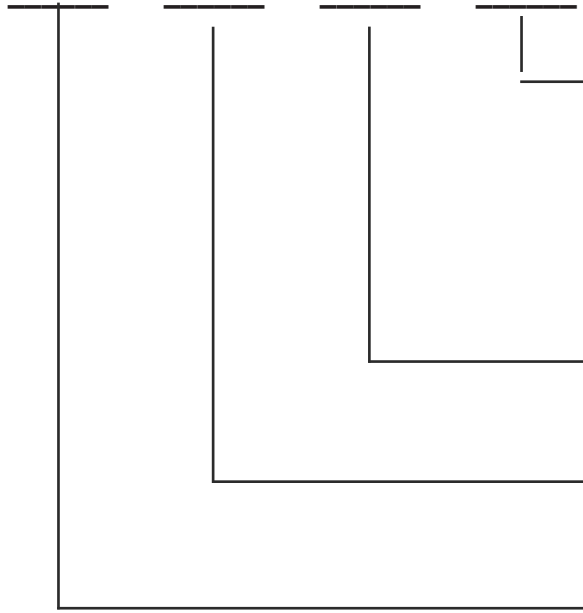
Electrical Connections

Each pin of the M8 connector is electrically connected to a single row of the prototyping area and to one screw terminal. This board also breaks out the connection to the connector shell, marked as S on the board.



ST-M8 - Ordering Information

ST-M8-



Form Factor

- BB: Breadboard
- MIN: Mini
- FT: Rubber Feet
- DIN: DIN Rail Mount
- SPR: Spacers and Screws
- E-CHS: Enclosed Chassis Mount
- E-DIN: Enclosed DIN Rail Mount

Connector

- R: Right Angle
- S: Straight

Type

- M: Male
- F: Female

Pin # / Coding

- 3A: 3-Pin, A-Coded
- 4A: 4-Pin, A-Coded
- 4D: 4-Pin, D-Coded
- 6A: 6-Pin, A-Coded
- 8A: 8-Pin, A-Coded

Ordering

To order please visit www.schmalztech.com or one of our distributors to quickly place an online order.

Orders may also be placed by email or phone:

Email: sales@schmalztech.com

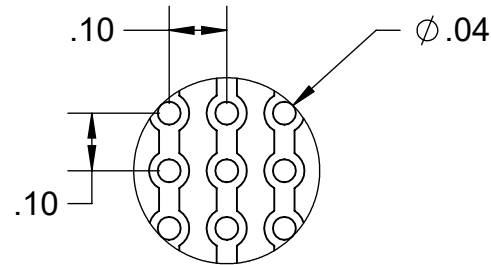
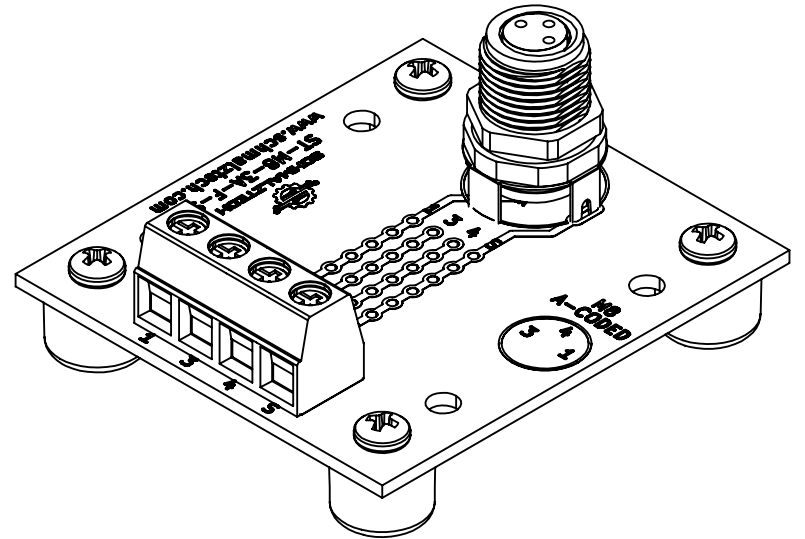
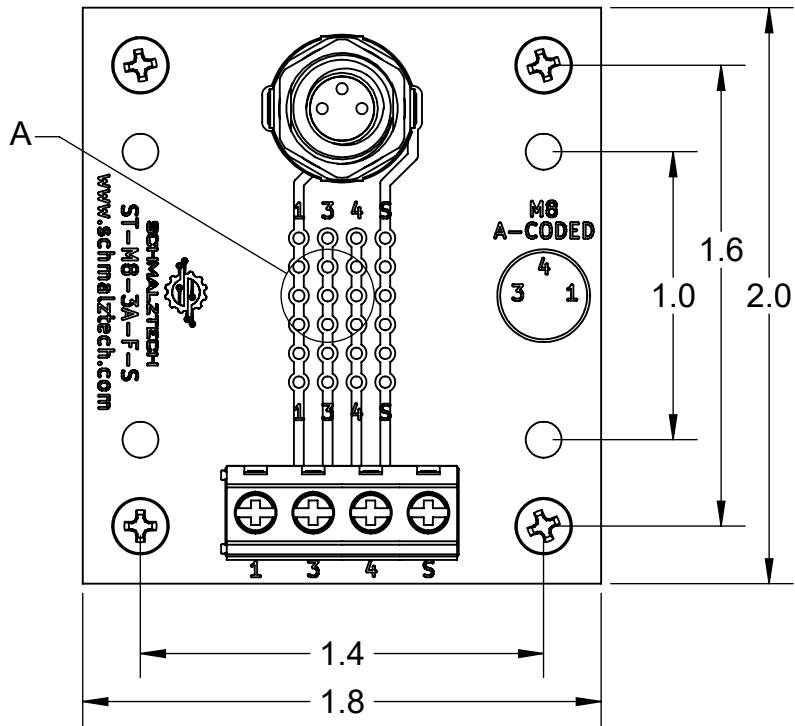
Phone: +1 (844) 399-9213

Expedited Shipping

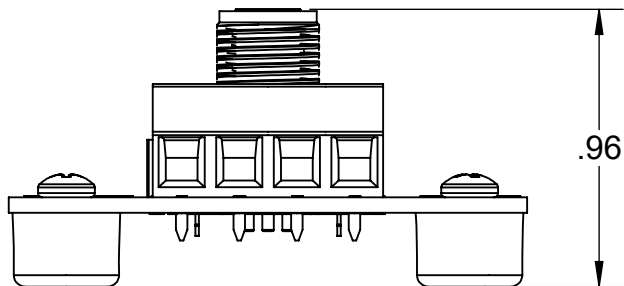
If overnight shipping is required please contact us directly so that we can expedite your order. Overnight shipping is provided through UPS and will incur an additional charge


Custom Designs

Can't find what you need? We can design and produce a custom board to fit your exact needs. Please reach out to us for additional information and pricing.



DETAIL A
SCALE 3 : 1



TITLE ST-M8-3A-F-S-FT			
DESCRIPTION M8, 3-Pin, A-Coded Breakout w/ Feet			
 SCHMALZTECH		Phone: (844) 399-9213	
		Email: sales@schmalztech.com	
		Web: www.schmalztech.com	
UNITS	DATE	REV	
INCH	3/16/2024	0	

REVISIONS			
REV.	DESCRIPTION	DATE	BY