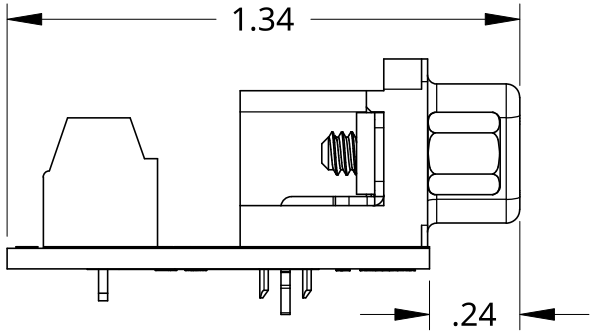
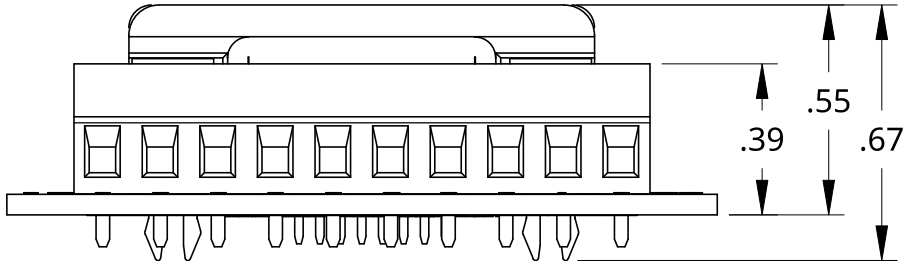
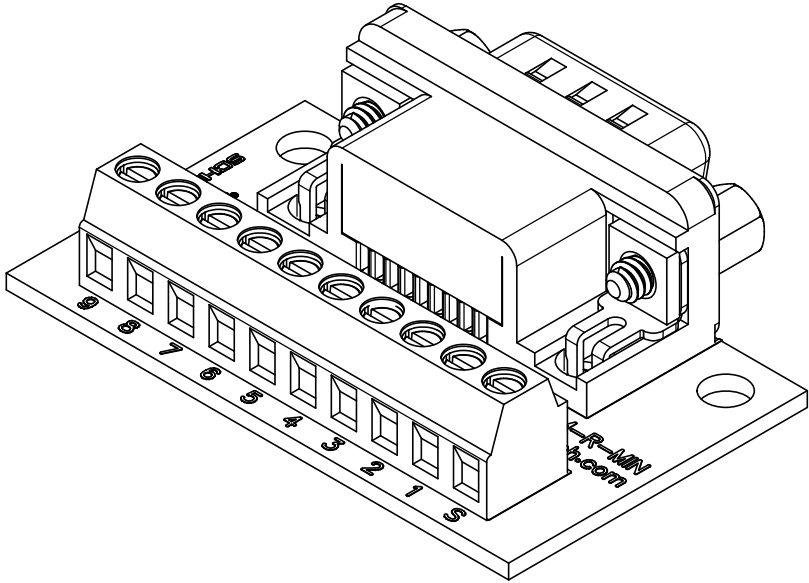
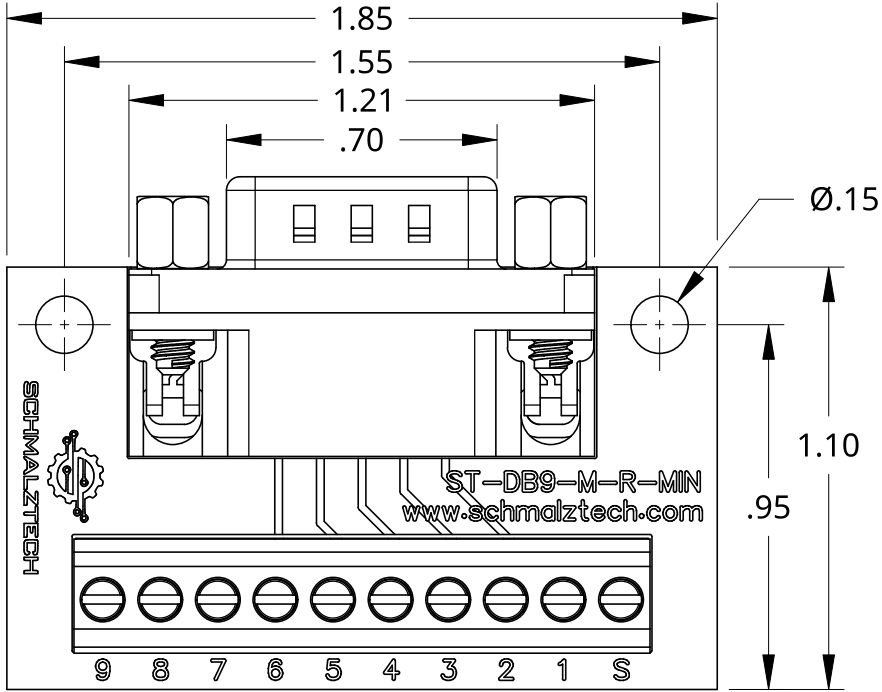


4

3

2

1



D

D

C

C

B

B

A

A

4

3

2

1



SCHMALZTECH

PHONE: (844) 399-9213
 EMAIL: sales@schmalztech.com
 WEB: www.schmalztech.com

TITLE ST-DB9-M-R-MIN			
DESCRIPTION DB9 MALE BREAKOUT BOARD			
SIZE A	DWG NO. ST-DB9-M-R-MIN	REV. 1	
UNITS INCH	DATE 04/28/2026	SHEET 1 of 1	