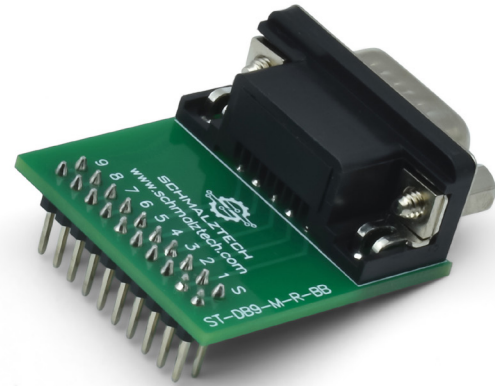




ST-DB9-M-R-BB

Male DB9 Breadboard Breakout



- Breaks out all 9 contacts + shield
- Pin headers for easy breadboard connection
- Easy access for probing and debugging
- Threaded studs on connector are removable
- Dual headers for increased stability

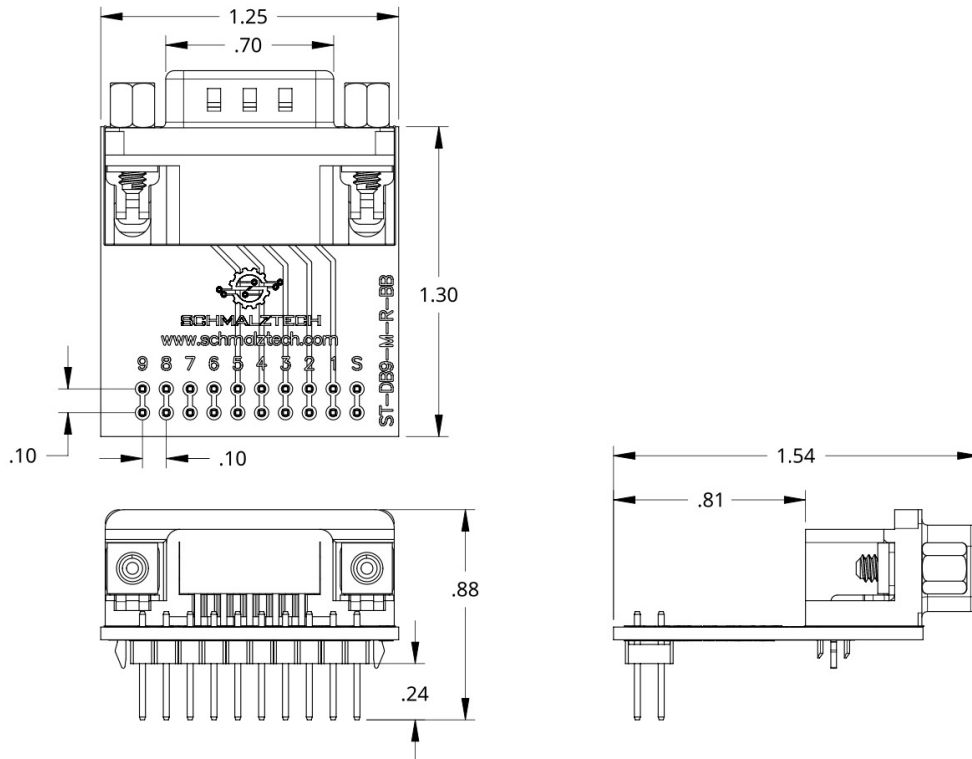
Specifications	
Pin Header Size	.025" x .025"
Pin Header Pitch	0.1"
Connector	DB9 - Male
PCB Surface Finish	LF HASL
Temperature Rating	-15°C to +70°C

This male DB9 breakout board provides a convenient method of accessing all the contacts of a 9-pin D-Sub connector. Each of the 9 connections as well as the shield are brought out to a pair of pin headers that can connect directly to a standard breadboard. This board has two rows of 0.1" male pin headers to create a more stable connection to the breadboard. By providing a second row of headers the breakout board is less likely to work loose from the breadboard and can better support the weight of a connected cable.

ST-DB9-M-R-BB

Male DB9 Breadboard Breakout

Mechanical Drawings

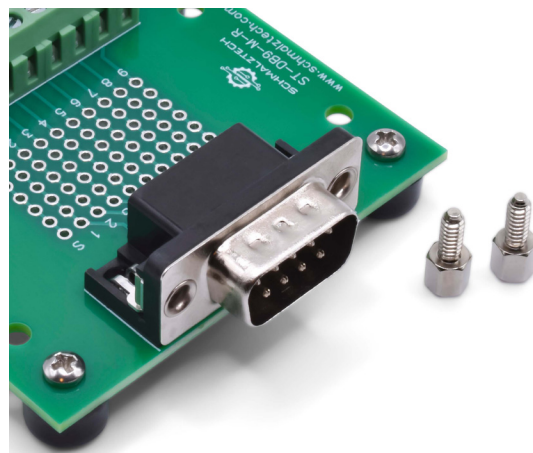


Electrical Connections

Each pin of the DB9 connector is electrically connected to a pair of standard 0.1" pin headers.

Removable Threaded Studs

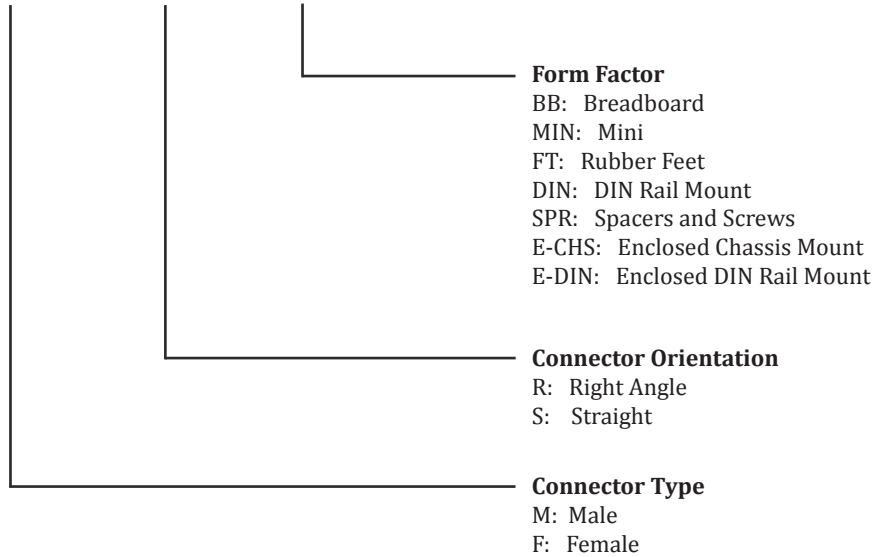
Unlike many DB9 connectors, the specialized connectors used on SchmalzTech DB9 breakout boards allow for the threaded studs to be removed while the shielded cover remains in place. (See photo to right)





ST-DB9 - Ordering Information

ST-DB9- _____ - _____ - _____



Ordering

To order please visit www.schmalztech.com or one of our distributors to quickly place an online order.

Orders may also be placed by email or phone:

Email: sales@schmalztech.com

Phone: +1 (844) 399-9213

Expedited Shipping

If overnight shipping is required please contact us directly so that we can expedite your order. Overnight shipping is provided through UPS and will incur an additional charge

Custom Designs

Can't find what you need? We can design and produce a custom board to fit your exact needs. Please reach out to us for additional information and pricing.