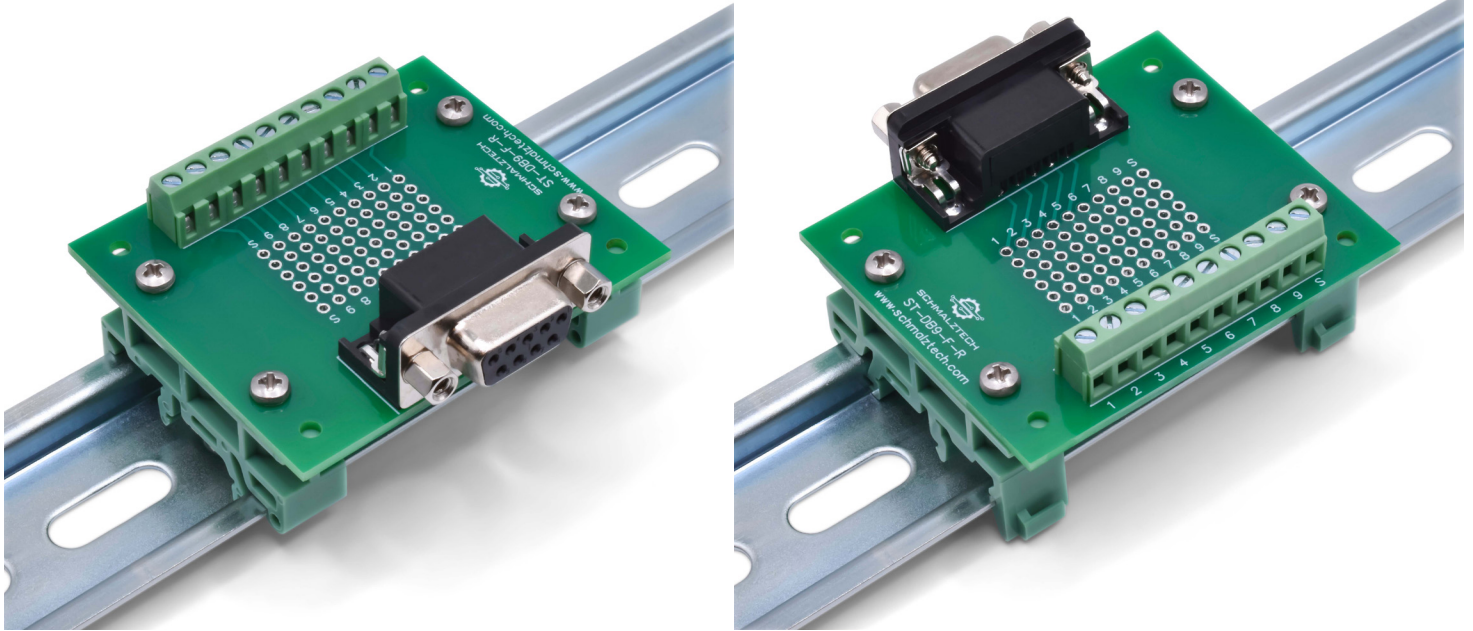




ST-DB9-F-R-DIN

Female DB9 Breakout Board with DIN Rail Clips



- Breaks out all 9 contacts + shield
- Screw terminals for fast connections
- Prototyping area for in-circuit modifications
- Easy access for probing and debugging
- Threaded studs on connector are removable
- Easily mounts on 35mm DIN rail

Specifications	
Wire Range (stranded)	16-26 AWG
Wire Range (solid)	16-26 AWG
Connector	DB9 - Female
PCB Surface Finish	LF HASL
Temperature Rating	-15°C to +70°C

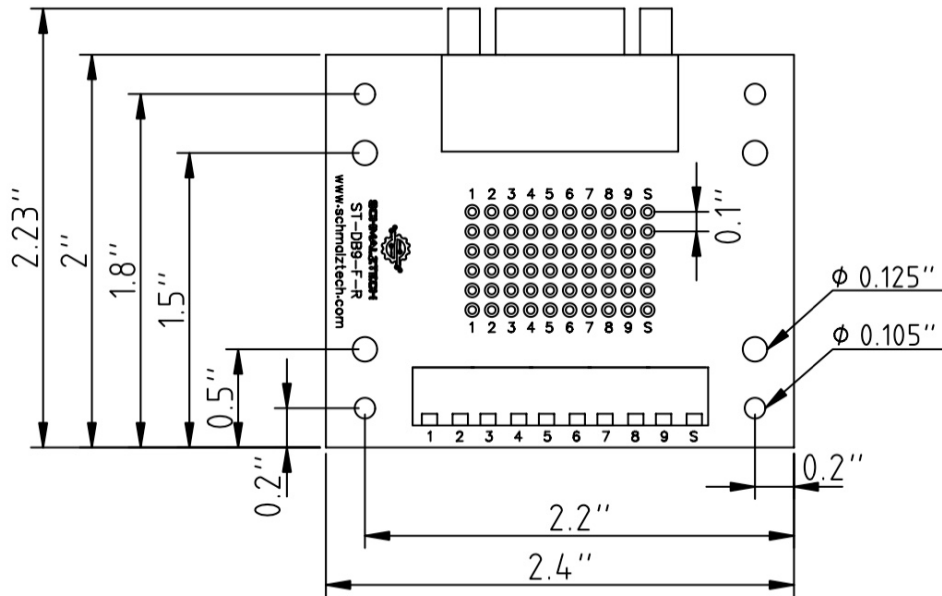
This female DB9 breakout board provides a convenient method of accessing all the contacts of a 9-pin D-Sub connector. Each of the 9 connections as well as the shield are brought out to a screw terminal for fast and secure termination to wires. This board also features a prototyping area to enable in-circuit modifications as well as easy probing/diagnostics. The prototyping grid has a standard 0.1" pattern to enable compatibility with a variety of components. The DIN clips on this model allow it to be easily used with a 35mm DIN rail system, making this board perfect for industrial applications.



ST-DB9-F-R-DIN

Female DB9 Breakout Board with DIN Rail Clips

Mechanical Drawings

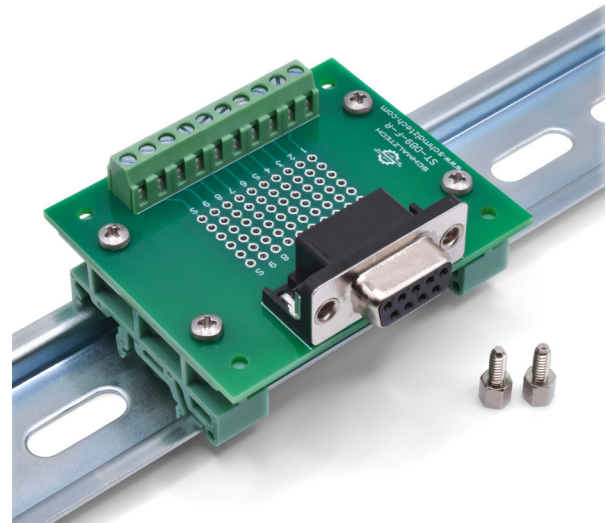


Electrical Connections

Each pin of the DB9 connector is electrically connected to a single row of the prototyping area and to one screw terminal. The pads of the prototyping area have a standard 0.1" pitch.

Removable Threaded Studs

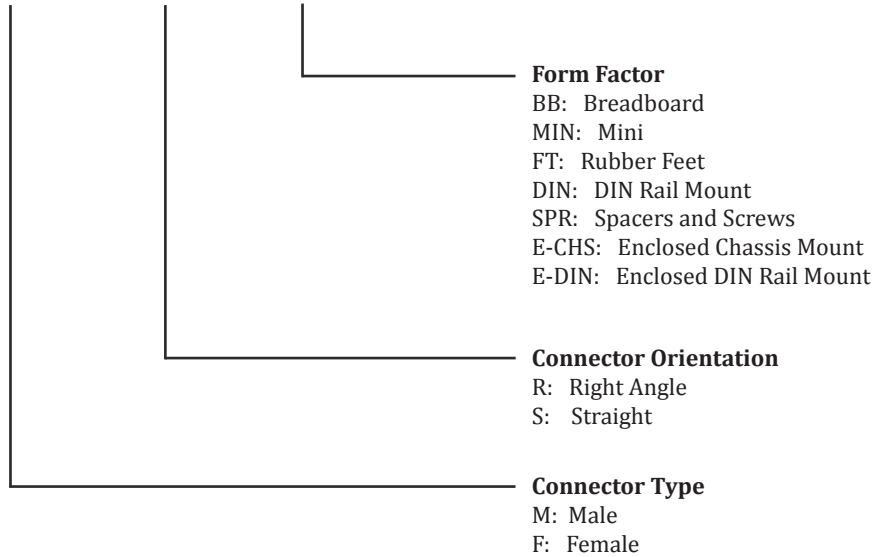
Unlike many DB9 connectors, the specialized connectors used on SchmalzTech DB9 breakout boards allow for the threaded studs to be removed while the shielded cover remains in place. (See photo to right)





ST-DB9 - Ordering Information

ST-DB9- _____ - _____ - _____



Ordering

To order please visit www.schmalztech.com or one of our distributors to quickly place an online order.

Orders may also be placed by email or phone:

Email: sales@schmalztech.com

Phone: +1 (844) 399-9213

Expedited Shipping

If overnight shipping is required please contact us directly so that we can expedite your order. Overnight shipping is provided through UPS and will incur an additional charge

Custom Designs

Can't find what you need? We can design and produce a custom board to fit your exact needs. Please reach out to us for additional information and pricing.