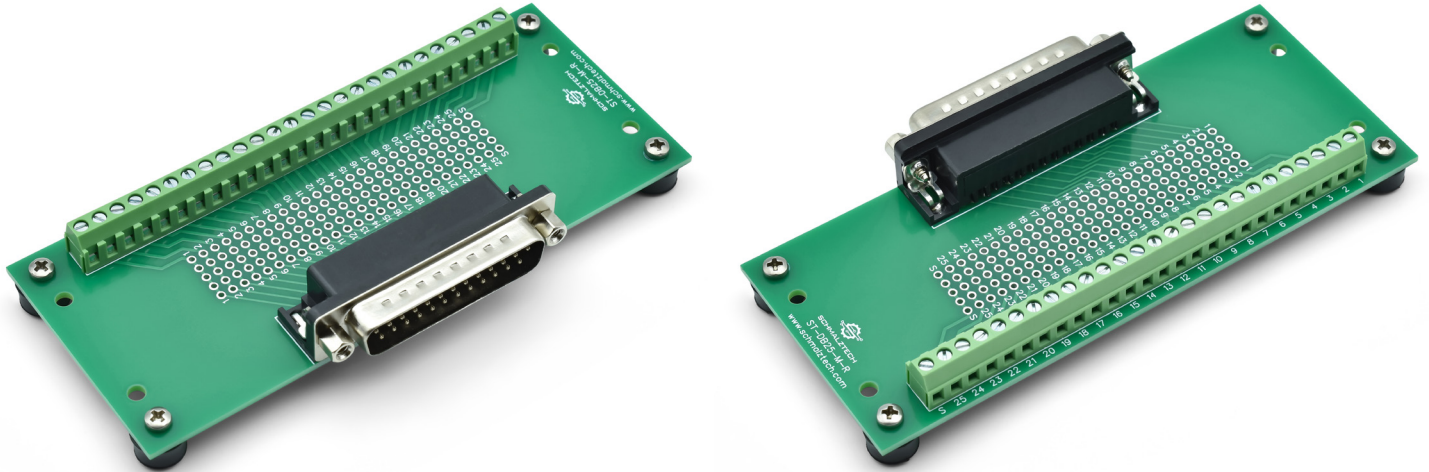




# ST-DB25-M-R-FT

## Male DB25 Breakout Board with Rubber Feet



- Breaks out all 25 contacts + shield
- Screw terminals for fast connections
- Prototyping area for in-circuit modifications
- Easy access for probing and debugging
- Rubber feet provide a stable base

Specifications	
Wire Range (stranded)	16-26 AWG
Wire Range (solid)	16-26 AWG
Connector	DB25 - Male
PCB Surface Finish	LF HASL
Temperature Rating	-15°C to +70°C

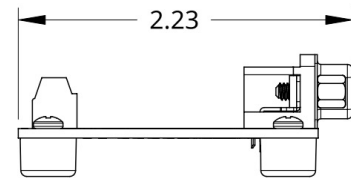
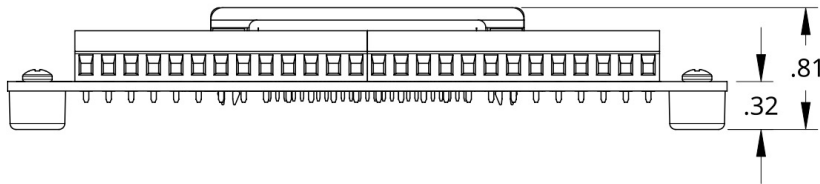
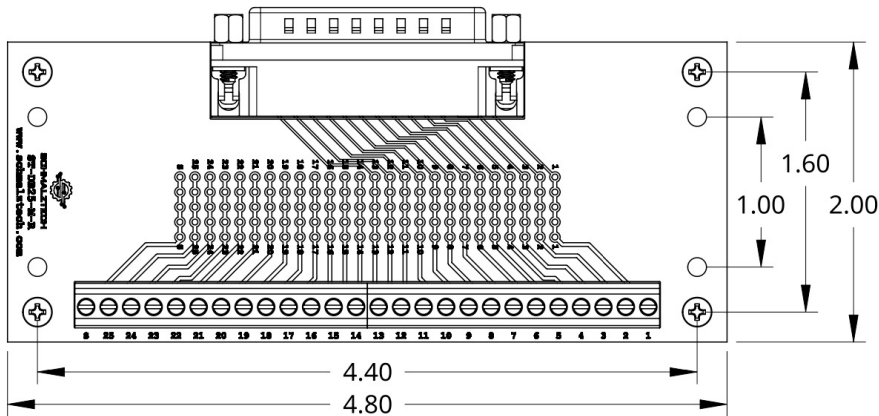
This male DB25 breakout board provides a convenient method of accessing all the contacts of a 25-pin D-Sub connector. Each of the 25 connections as well as the shield are brought out to a screw terminal for fast and secure termination to wires. This board also features a prototyping area to enable in-circuit modifications as well as easy probing/diagnostics. The prototyping grid has a standard 0.1" pattern to enable compatibility with a variety of components. The rubber feet on this model provide clearance for the connections on the bottom making it perfect for a lab environment where it can be placed directly on a bench.



# ST-DB25-M-R-FT

## Male DB25 Breakout Board with Rubber Feet

### Mechanical Drawings



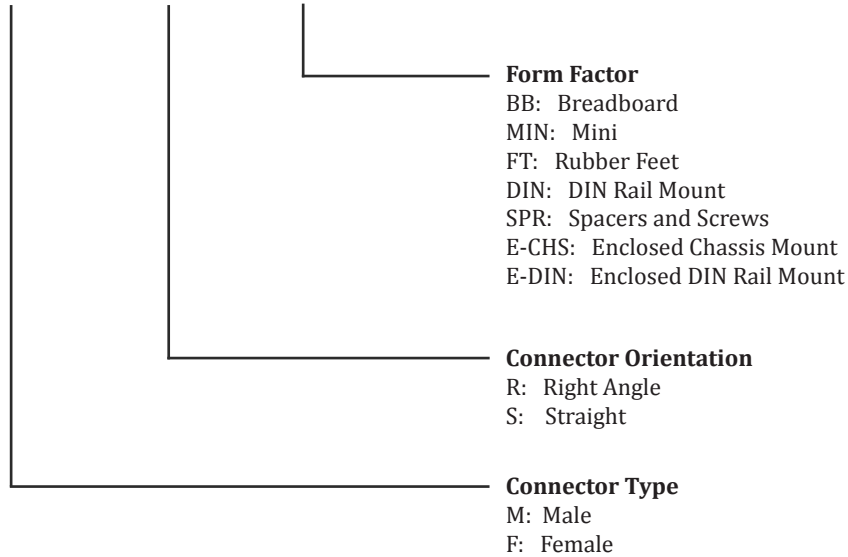
### Electrical Connections

Each pin of the DB25 connector is electrically connected to a single row of the prototyping area and to one screw terminal. The pads of the prototyping area have a standard 0.1" pitch.



# ST-DB25 - Ordering Information

ST-DB25- \_\_\_\_\_ - \_\_\_\_\_ - \_\_\_\_\_



## Ordering

To order please visit [www.schmalztech.com](http://www.schmalztech.com) or one of our distributors to quickly place an online order.

Orders may also be placed by email or phone:

Email: [sales@schmalztech.com](mailto:sales@schmalztech.com)

Phone: +1 (844) 399-9213

## Expedited Shipping

If overnight shipping is required please contact us directly so that we can expedite your order. Overnight shipping is provided through UPS and will incur an additional charge

## Custom Designs

Can't find what you need? We can design and produce a custom board to fit your exact needs. Please reach out to us for additional information and pricing.